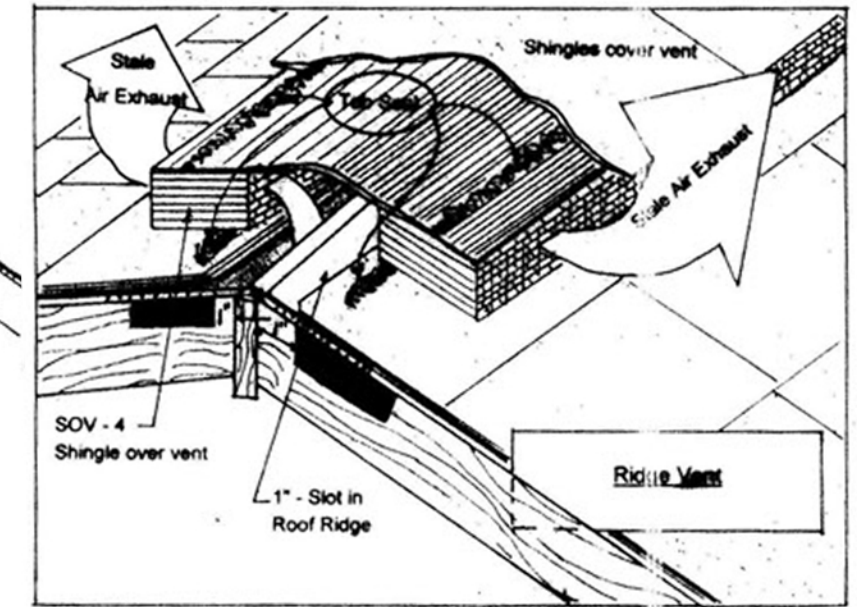
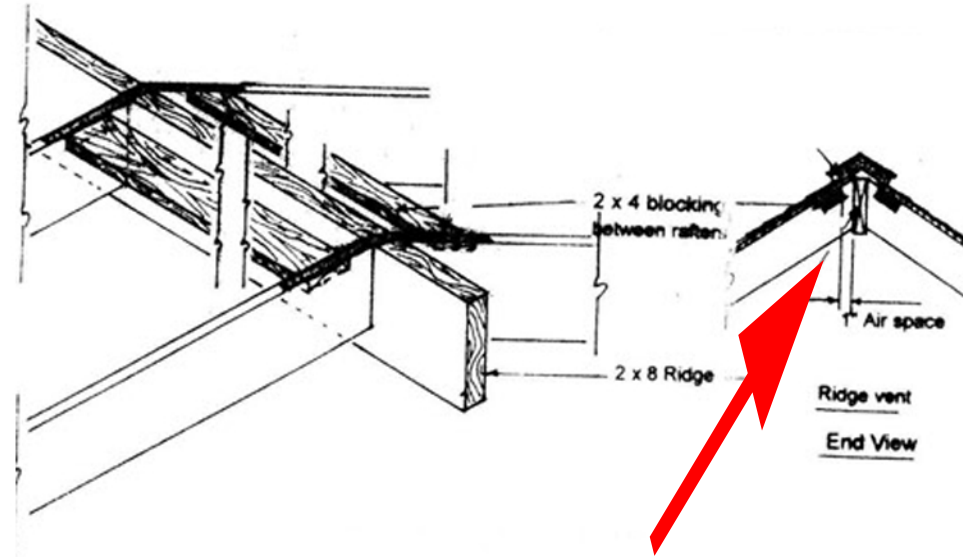


- * all panels within 4ft of the perimeter edge (top, bottom and gable ends) must be blocked to maintain a nailing pattern of 6" OC around roof edge.
- * A nail pattern of 6" OC must also be maintained in the center of the roof panels.
- * All horizontal blocking must be 2x4 minimum and go from rafter to rafter.
- * wind speeds greater than 140mph, must have a 4" nail pattern through out roof sheathing.
- * nail patterns also apply for gable edges.



reference: WFCM TBL 3.10 Pg 160

Table 3.10 Roof Sheathing Attachment Requirements for Wind Loads - Exposure B

| | | 85 | 90 | 100 | 110 | 120 | 130 | 140 | 150 | | | | | | | | |
|---|-------------------------------------|---|-----------------|----------------|-----------------|----------------|-----------------|----------------|-----------------|---|-----------------|----------------|----|---|-----------------|----------------|-----------------|
| STRUCTURAL SHEATHING | | | | | | | | | | | | | | | | | |
| Sheathing Location ¹ | Rafter/Truss Spacing (inches, o.c.) | Maximum Nail Spacing for 8d Common Nails or 10d Box Nails (inches, o.c.) ⁵ | | | | | | | | | | | | | | | |
| Interior Zone | 12 | 6 | 12 | 6 | 12 | 6 | 12 | 6 | 12 | 6 | 12 | 6 | 12 | 6 | 12 | 6 | 12 |
| | 16 | 6 | 12 | 6 | 12 | 6 | 12 | 6 | 12 | 6 | 12 | 6 | 12 | 6 | 12 | 6 | 12 |
| | 19.2 | 6 | 12 | 6 | 12 | 6 | 12 | 6 | 12 | 6 | 12 | 6 | 12 | 6 | 12 | 6 | 12 ² |
| | 24 | 6 | 12 | 6 | 12 | 6 | 12 | 6 | 12 | 6 | 12 | 6 | 12 | 6 | 12 ² | 6 | 12 ² |
| Perimeter Edge Zone | 12 | 6 | 12 | 6 | 12 | 6 | 12 ² | 6 | 12 ² | 6 | 12 ² | 6 | 6 | 6 | 6 | 6 | 6 |
| | 16 | 6 | 12 | 6 | 12 | 6 | 12 ² | 6 | 12 ² | 6 | 6 | 6 | 6 | 6 | 6 | 6 | 6 |
| | 19.2 | 6 | 12 ² | 6 | 12 ² | 6 | 12 ² | 6 | 6 | 6 | 6 | 6 | 6 | 6 | 6 | 4 ⁴ | 4 ⁴ |
| Gable Endwall Rake or Rake Truss w/ Lookout Block | 12 | 6 | 6 | 6 ³ | 6 ³ | 6 ³ | 6 ³ | 6 ³ | 4 | 4 | 4 ⁴ | 4 ⁴ | - | - | - | - | |
| | 16 | 6 | 6 | 6 | 6 | 6 | 6 | 6 | 6 | 6 | 6 | 6 | 6 | 6 | 6 | 6 | 6 |
| BOARD SHEATHING | | | | | | | | | | | | | | | | | |
| Sheathing Size | Rafter/Truss Spacing (inches, o.c.) | Minimum Number of 8d Common Nails or 10d box Nails Per Support | | | | | | | | | | | | | | | |
| 1x6 or 1x8 Sheathing | 12-19.2 | 2 | 2 | 2 | 2 | 2 | 2 | 2 | 2 | 2 | 2 | 2 | 2 | 2 | 2 | 2 | 2 |
| 1x10 or Larger Sheathing | 12-19.2 | 3 | 3 | 3 | 3 | 3 | 3 | 3 | 3 | 3 | 3 | 3 | 3 | 3 | 3 | 3 | 3 |

E - Nail spacing at panel edges (in.)
F - Nail spacing at intermediate supports in the panel field (in.)

¹ For roof sheathing within 4 feet of the perimeter edge of the roof, including 4 feet on each side of the roof peak, the 4 foot perimeter edge zone attachment requirements shall be used.
² Tabulated 12 inch o.c. nail spacing assumes sheathing attached to rafter/truss framing members with $G \geq 0.49$. For framing members with $0.42 \leq G < 0.49$, the nail spacings shall be reduced to 6 inches o.c.
³ Tabulated 6 inch o.c. nail spacing assumes sheathing attached to rafter/truss framing members with $G \geq 0.49$. For framing members with $0.42 \leq G < 0.49$, the nail spacings shall be reduced to 4 inches o.c.
⁴ Tabulated 4 inch o.c. nail spacing assumes sheathing attached to rafter/truss framing members with $G \geq 0.49$. For framing members with $0.42 \leq G < 0.49$, the nail spacings shall be reduced to 3 inches o.c.
⁵ Tabulated nail spacings assume a building located in Exposure B.

Blocking at top 1 inch away from ridge is only required when ridge vents are installed. If ridge vents are not installed, nailing pattern will continue on the ridge itself.

